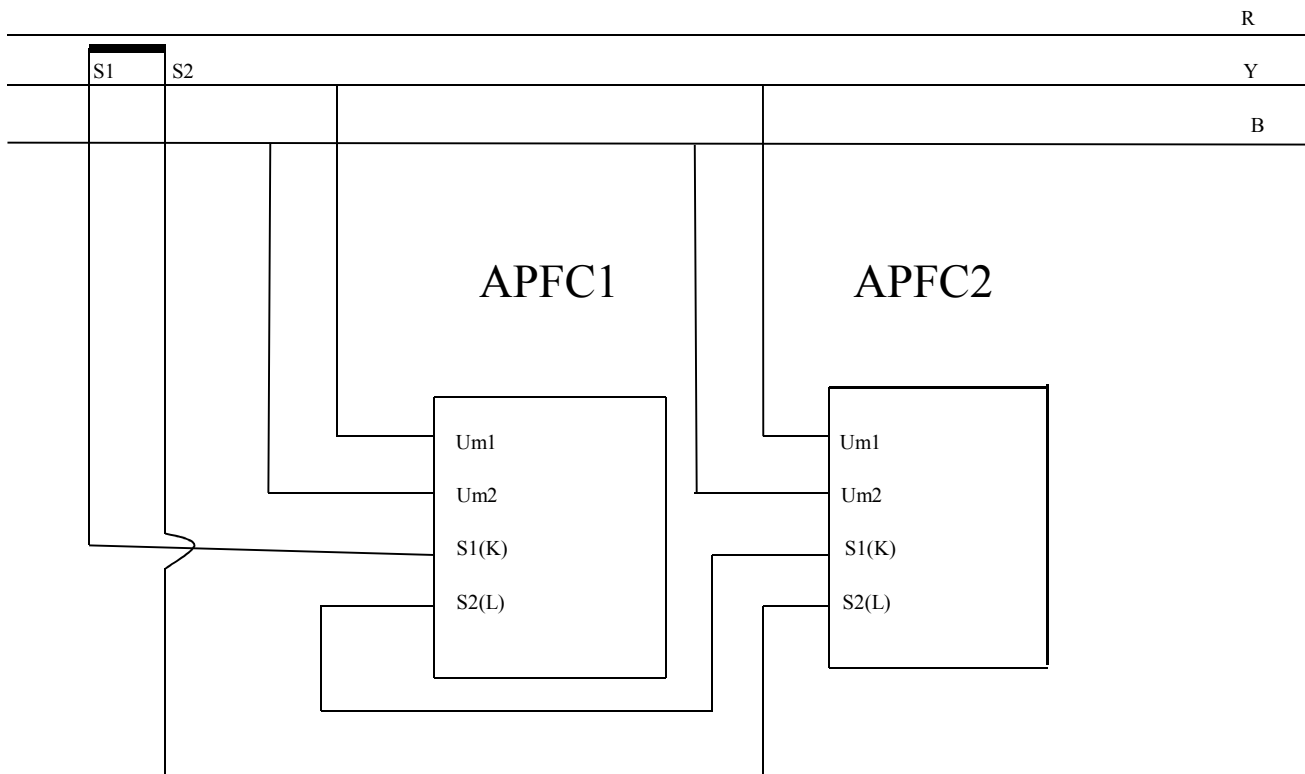


SUGGESTED DIAGRAM FOR TANDEM OPERATION OF BELUK power factor control relays : BLR-CXD, BLR-CX



NOTE:

1. The Target Power factor must be set, same in both the Relays.
2. The Switching time should be different in both the relays.

For Example:

If the switching time of APFC # 1 is 10 seconds, then the Switching time of APFC # 2 must be 13 seconds (or) APFC # 1 at 10 seconds and APFC # 2 at 17 seconds

processtechnique.com



BELUK

making energy matter
accurate POWER FACTOR control